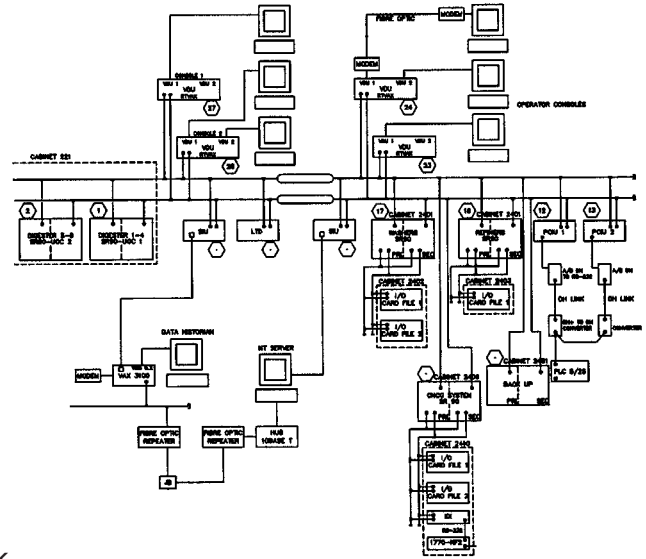


DISTRIBUTED CONTROL SYSTEMS DISTRIBUTED CONTROL SYSTEMS DISTRIBUTED CONTROL SYSTEMS



From Mill wide applications to area process upgrades, Cook Engineering offers a range of engineering services to implement a distributed control system at your facility. Familiar with most vendors, our designers can assist you from the process of system selection, through specification to system installation and commissioning. Our approach of interfacing between the vendor and operator to develop efficient process control system strategies and operator graphics ensures optimum performance.

- Evaluation & Selection
- Hardware Specification
- Process Control Strategies
- Configuration Documentation
- Installation Design
- Power & Grounding Design
- Control/Rack Room Design
- Communication Networks
- Fibre Optic Communication Links
- Start-up & Commissioning
- Operations Manuals
- Feasibility Studies & Capital Cost Estimating



cookengineering

740 South Syndicate Avenue
Thunder Bay, ON P7E 1E9

Telephone: (807) 625-6700
Fax (807) 623-4491

Engineering to ***“Provide The Right Solution for Effective Results”***